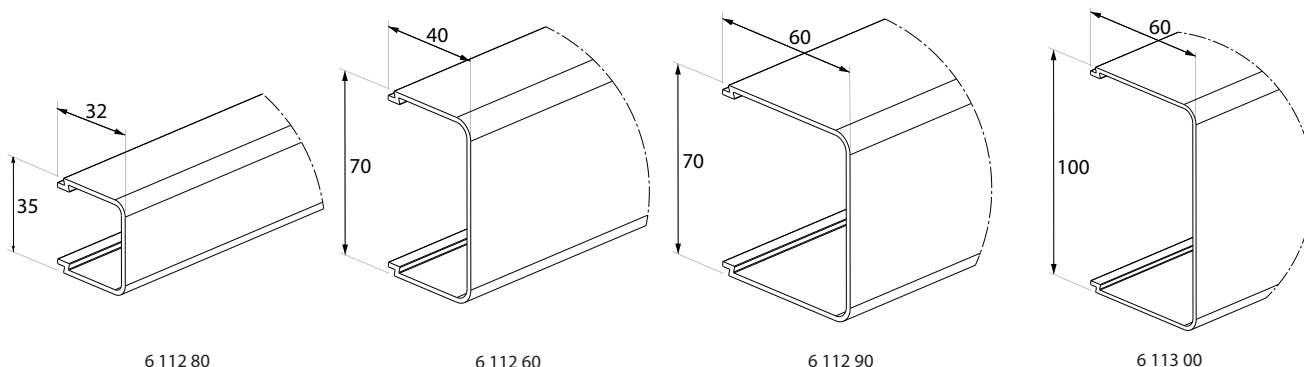


DLP Trunking for fluids

Cat. No(s) : 611260/61/63/64/65/66/67/68/
 69/70/75/80/83/84/85/86/87/88/90/93/94/95/96/97/98 - 611300/01/03/04/05/06/
 07/08/09/10/11/80/81



1. USE

The DLP trunking system for fluids specially designed to hold and perfectly concealed pipes that are surface-mounted on walls.

Its design with rounded lines guarantees an aesthetic appearance suitable for installation in any location and for any type of application. The system is ideal for air conditioning, heating and plumbing applications, with a range specially designed to contain and hold pipes in position in the trunking.

Fixing principles specific to the type of installation:

- Air conditioning (2 types of installation)
- Plumbing/Sanitary (2 types of installation)

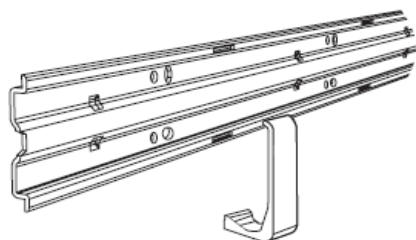
as described in following chapter 3 page 9.

2. RANGE

■ 2.1 Flat bases cat. nos 6 112 61/6 113 01

designed to conceal pipes with thermal protection.
 Delivered with pipe retainers

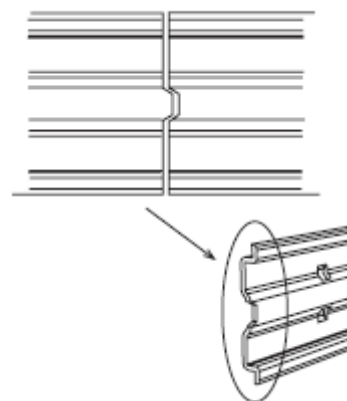
Dimensions	Références
40 x 70 mm	6 112 61
60 x 70 mm	
60 x 100 mm	6 113 01



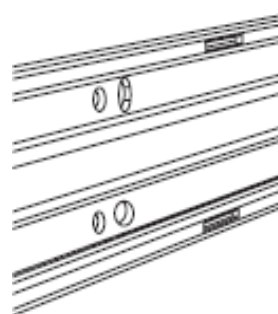
Delivered in length of 2 m
 White color

2. RANGE (cont.)

Easy assembly and alignment of flat bases
 Clip-on installation of cover

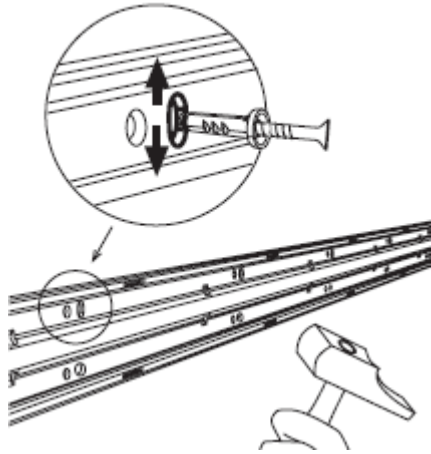


Oblong perforations in the bottom for quick fitting and easy adjustment of the base.



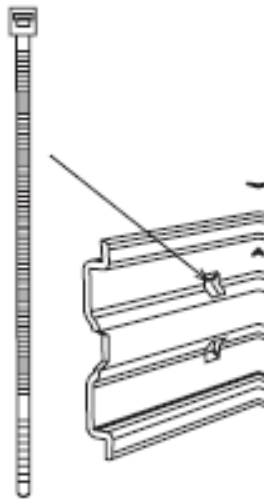
2. RANGE (cont.)

fixed itself on the wall using a drilling machine with anchors

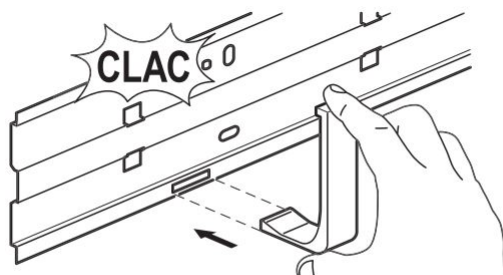


pipes can be pre-installed using pipe retainers positioned on the bottom as required, before being held in place by pipes ties.

Pipe ties:

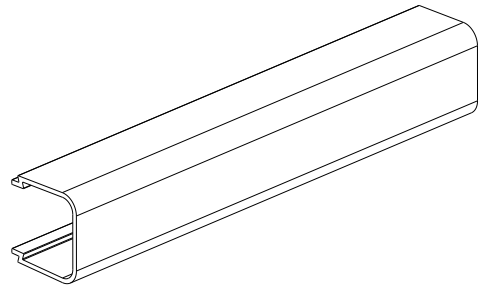


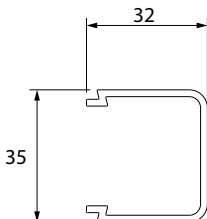
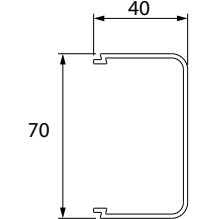
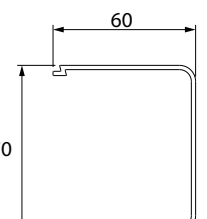
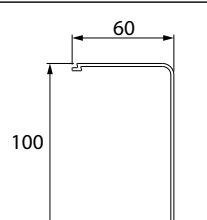
Pipe retainers:.



2. RANGE (cont.)

■ 2.2 Covers cat. nos 6 112 60/80/90 - 6 113 00



Dimensions	Covers	Références
32 x 35 mm		6 112 80
40 x 70 mm		6 112 60
60 x 70 mm		6 112 90
60 x 100 mm		6 113 00

Delivered in length of 2m

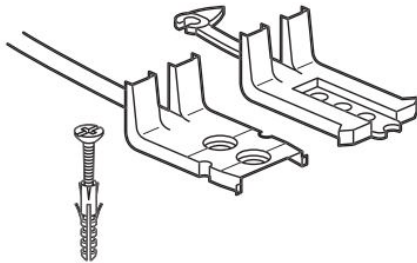
- Assembly with the flat base by clips.
- the compact size of the trunking and its rounded lines provide a perfect integration. Flat base can easily be added and it can be installed anywhere.

White color

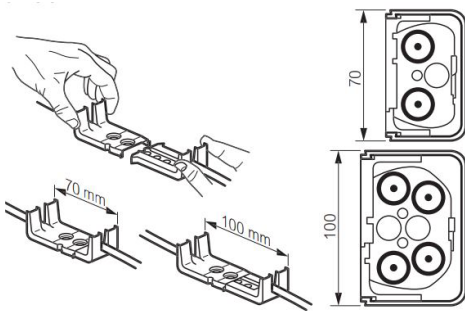
2. RANGE (cont.)

■ **2.3 Installation accessories for air conditioning application: Pipe clips cat. no 6 113 80**

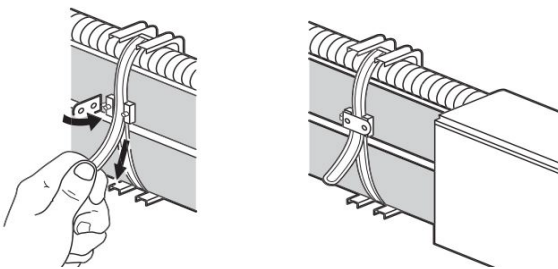
Delivered in two parts attached with a bond (ankles to be delivered with the support)



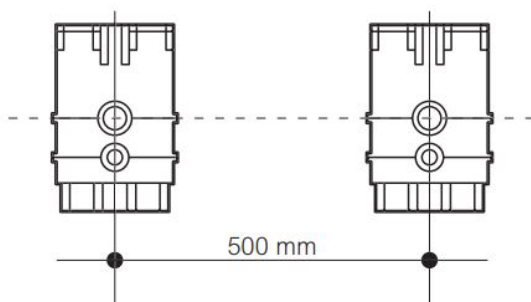
Adjusting the support according to the size of the cover



Place and hook the pipes with a pipe tie



- an economic solution.
- restricted volume.
- the cover can be added later on.
- only one reference for 3 dimensions of cover (40x70-60x70 & 60x100)

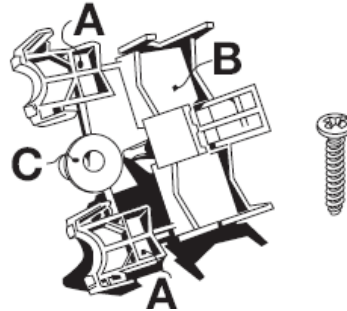


It is recommended that pipe clips are fitted every 50cm to ensure alignment

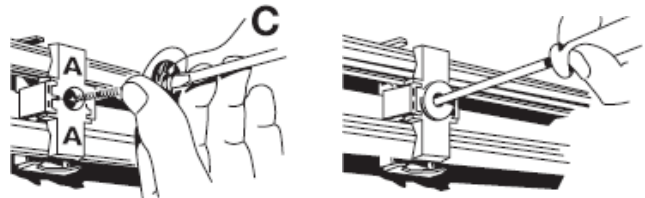
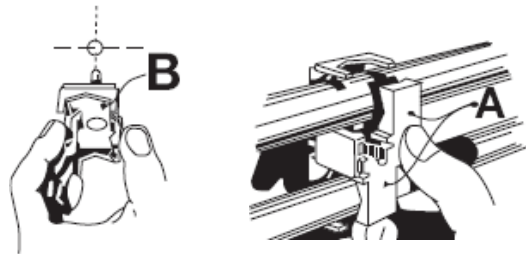
2. RANGE (cont.)

■ **2.4 Installation accessories for sanitary application: Pipe clips between Ø 10 to 22mm cat. no. 6 113 81**

Delivered in four parts attached with a bond

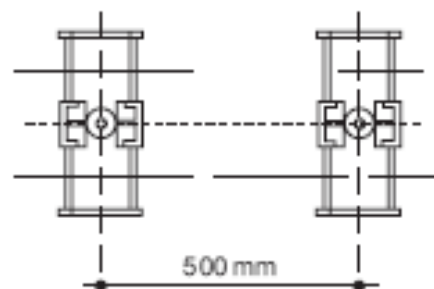


Adjusting the support according to the diameters (ranging from 10 to 22mm)



Heating and plumbing :

- pipe support to fit pipes from 10 to 22mm in plumbing and heating installations



It is recommended that pipe clips are fitted every 50cm to ensure alignment

2. RANGE (cont.)

■ 2.5 End cap cat. nos 6 112 63/83/93 - 6 113 03



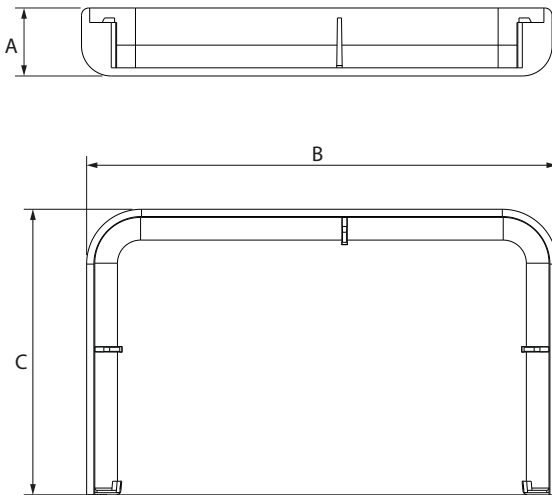
Allows to block the end of the body:
- respect of the degree protection
- improvement of aesthetics (covering of the cut)

Assembly on the body by fitment

White color

Cat. Nos	To use with
6 112 83	32 x 35
6 112 63	40 x 70
6 112 93	60 x 70
6 113 03	60 x 100

Dimensions (mm) :



Dimensions	Cat. Nos	A	B	C
32 x 35	6 112 83	15	38	35
40 x 70	6 112 63	15	73	42
60 x 70	6 112 93	15	73	62
60 x 100	6 113 03	15	104	62

2. RANGE (cont.)

■ 2.6 Cover joint cat. nos 6 112 67/87/97 - 6 113 07



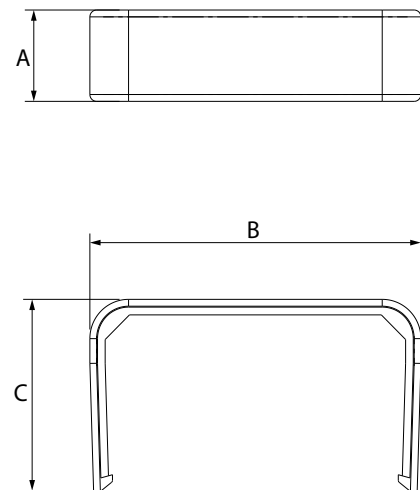
Allows:
- the junction to assemble with two covers of the same section
- respect of the degree protection
- to improve aesthetics (covering of the cut)

Assembly of the joint by clips

White color

Cat. Nos	To use with
6 112 87	32 x 35
6 112 67	40 x 70
6 112 97	60 x 70
6 113 07	60 x 100

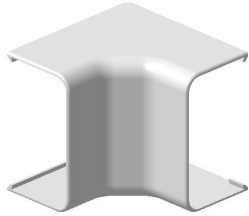
Dimensions (mm) :



Dimensions	Cat. Nos	A	B	C
32 x 35	6 112 87	15	38	35
40 x 70	6 112 67	20	73	42
60 x 70	6 112 97	20	73	62
60 x 100	6 113 07	20	104	62

2. RANGE (cont.)

■ **2.7 Internal angle cat. nos 6 112 65/85/95 - 6 113 05**



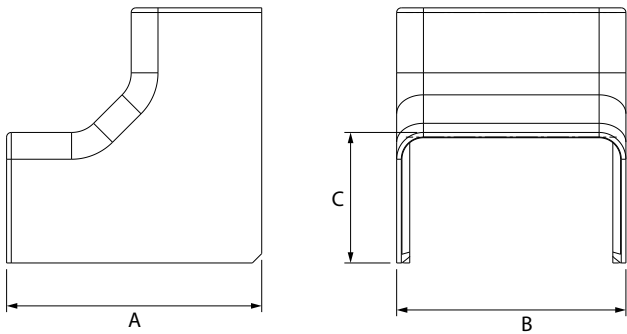
Internal angle to assemble with two pieces of the same section:

- respect of the index of protection
- improves aesthetics (covering of the cut)

Assembly on the flat base by clips.
For fixed internal angle (90°)
White color.

Cat. Nos	To use with
6 112 85	32 x 35
6 112 65	40 x 70
6 112 95	60 x 70
6 113 05	60 x 100

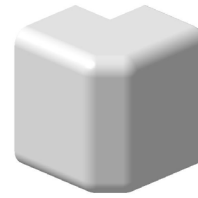
Dimensions (mm) :



Dimensions	Cat. Nos	A	B	C
32 x 35	6 112 85	64	38	35
40 x 70	6 112 65	82	73	42
60 x 70	6 112 95	82	73	62
60 x 100	6 113 05	113	104	62

2. RANGE (cont.)

■ **2.8 External angle cat. nos 6 112 66/86/96/ - 6 113 06**



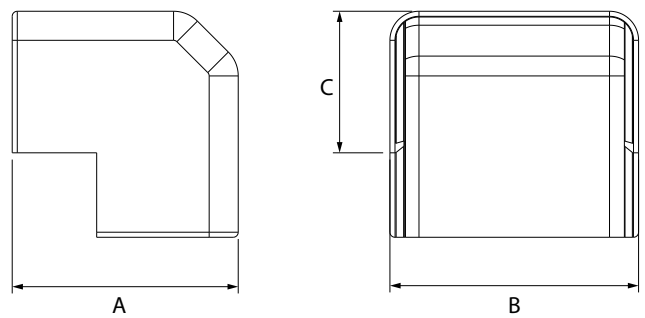
External angle to assemble with two pieces of the same section:

- respect of the index of protection
- improves aesthetics (covering of the cut)

Assembly on the flat base by clips.
For fixed external angle (90°)
White color.

Cat. Nos	To use with
6 112 86	32 x 35
6 112 66	40 x 70
6 112 96	60 x 70
6 113 06	60 x 100

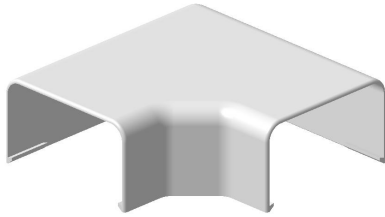
Dimensions (mm) :



Dimensions	Cat. Nos	A	B	C
32 x 35	6 112 86	52	38	35
40 x 70	6 112 66	67	73	42
60 x 70	6 112 96	67	73	42
60 x 100	6 113 06	92	104	62

2. RANGE (cont.)

■ **2.9 Flat angle cat. nos 6 112 64/84/94 - 6 113 04**



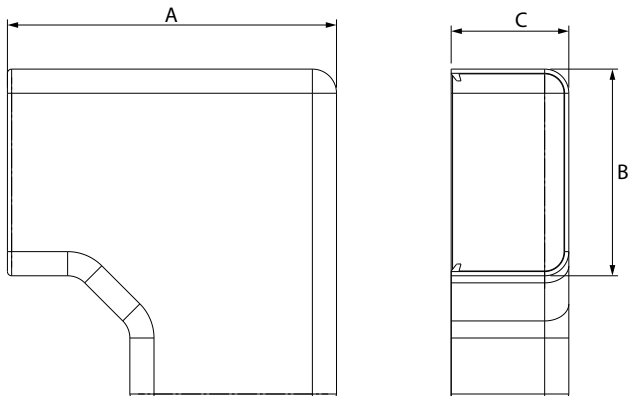
Flat angle to assemble with two pieces of the same section:

- respect of the index of protection
- improves aesthetics (covering of the cut)

Assembly on the flat base by clips.
For fixed flat angle (90°)
White color.

Cat. Nos	To use with
6 112 84	32 x 35
6 112 64	40 x 70
6 112 94	60 x 70
6 113 04	60 x 100

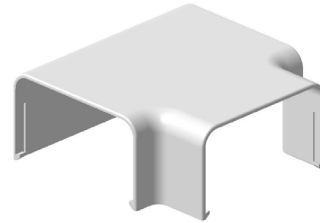
Dimensions (mm):



Dimensions	Cat. Nos	A	B	C
32 x 35	6 112 84	68	38	35
40 x 70	6 112 64	117	73	42
60 x 70	6 112 94	117	73	62
60 x 100	6 113 04	160	104	62

2. RANGE (cont.)

■ **2.10 Tee junction cat. nos 6 112 68/88/98 - 6 113 08**



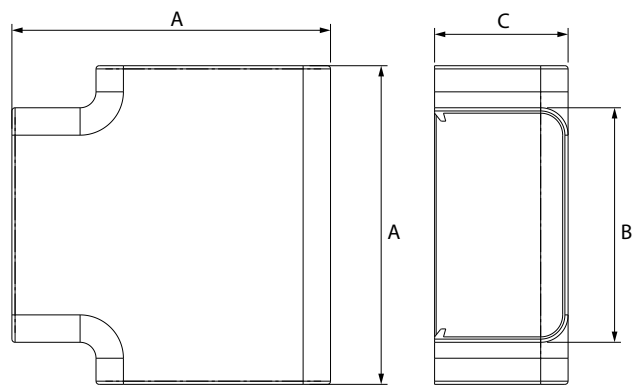
Tee junction to assemble with two pieces of the same section:

- respect of the index of protection
- improves aesthetics (covering of the cut)

Assembly on the flat base by clips.
White color

Cat. Nos	To use with
6 112 88	32 x 35
6 112 68	40 x 70
6 112 98	60 x 70
6 113 08	60 x 100

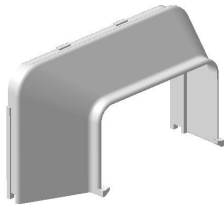
Dimensions (mm):



Dimensions	Cat. Nos	A	B	C
32 x 35	6 112 88	58	38	35
40 x 70	6 112 68	100	73	42
60 x 70	6 112 98	100	73	62
60 x 100	6 113 08	132	104	62

2. RANGE (cont.)

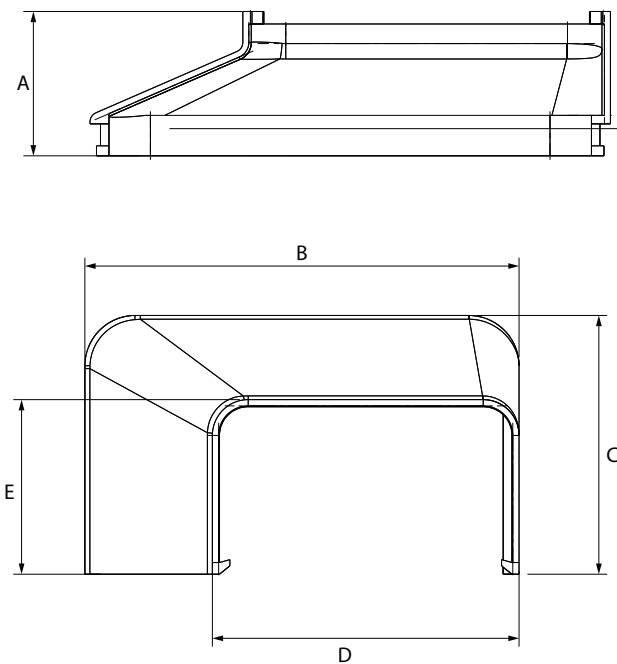
■ 2.11 Reduction for tee junction cat. nos 6 113 11 - 6 112 75



Allow the reduction from 60 x 100 to 40 x 70 or from 40 x 70 to 32 x 35
- respect of the index of protection
- improves aesthetics (covering of the cut)
White color

Cat. Nos	To use with
6 112 75	40 x 70 to 32 x 35
6 113 11	60 x 100 to 40 x 70

Dimensions (mm):

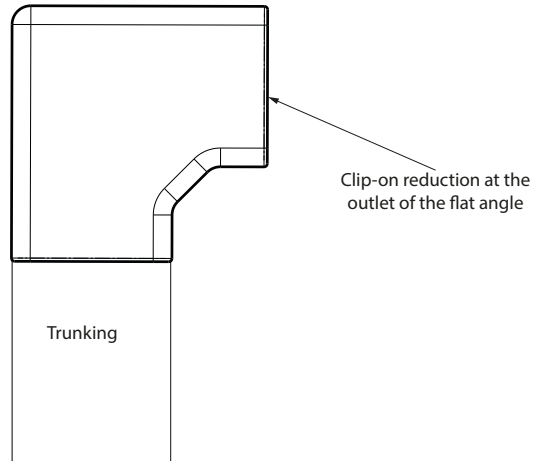


Cat. Nos	A	B	C	D	E
6 112 75	20	74	42	38	35
6 113 11	29	104	62	74	42

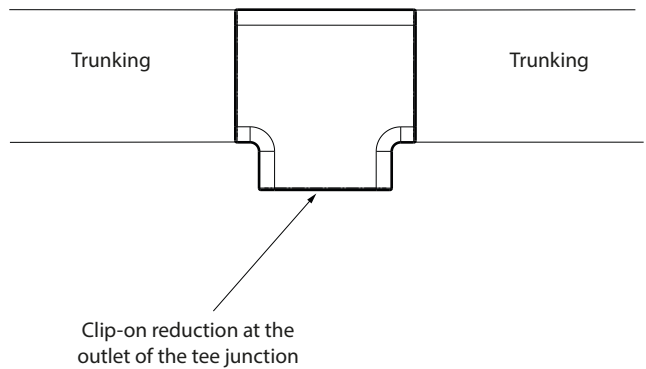
2. RANGE (cont.)

Assembly by clips on the end of an accessory:

- with a flat angle for 60 x 100 or 40 x 70 (the reduction is fixed on the exit of the flat angle making it possible to set out again with a lid of 40x70 or 32 x 35).



- with a tee junction for 60x100 or 40 x 70 (the reduction is fixed on the exit of the tee junction making it possible to set out again with a lid of 40x70 or 32 x 35).



2. RANGE (cont.)

■ 2.12 Wall passage cat. nos 6 112 70 - 6 113 10



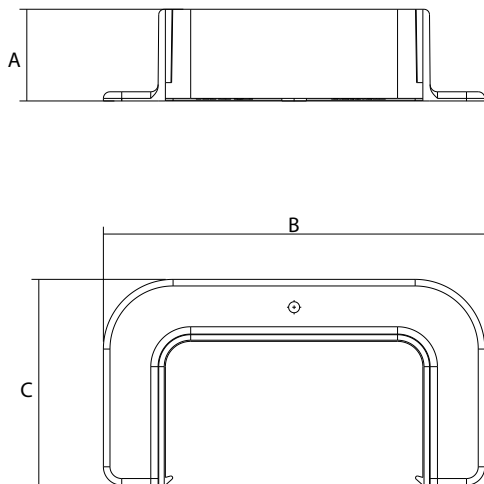
Allows:
- to improve aesthetics (to provide an excellent finish between the trunking and the wall).

Assembly of the wall passage by clips on the flat base.

White color

Cat. Nos	Use with
6 112 70	40 x 70
6 113 10	60 x 100

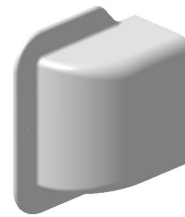
Dimensions (mm) :



Dimensions	Cat. Nos	A	B	C
40 x 70	6 112 70	25	104	56
60 x 100	6 113 10	28	135	77

2. RANGE (cont.)

■ 2.13 Corner wall passage cat. nos 6 112 69 - 6 113 09



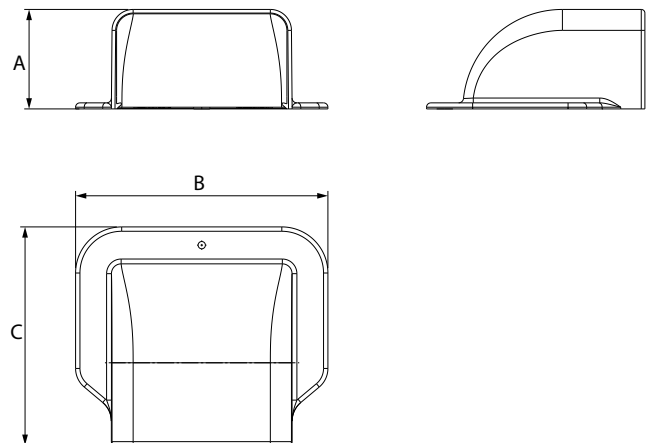
Allows:
- specific accessories: specially for air conditioning, to provide an excellent finish between the trunking and the wall.

Assembly of the corner wall passage by clips on the flat base.

White color

Cat. Nos	Use with
6 112 69	40 x 70
6 113 09	60 x 100

Dimensions (mm) :



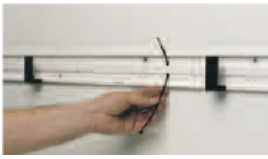

Dimensions	Cat. Nos	A	B	C
40 x 70	6 112 69	42	104	90
60 x 100	6 113 09	62	145	130

3. INSTALLATION



Fixing principles specific to the type of installation:

- Air conditioning (2 types of installation)
- Plumbing/Sanitary (2 types of installation)

■ 3.1 AIR CONDITIONING Installation

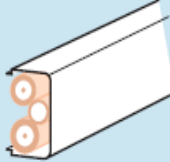
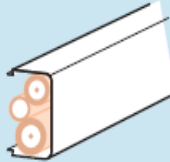
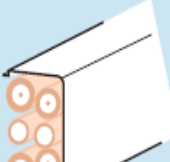
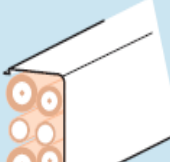

with using Flat base	or	with using Pipe clips
		
+ Cover 40x70 or 60x70 or 60x100		

■ 3.2 PLUMBING/SANITARY Installation

with using pipe clip in vertical position (2 pipes/diameter from 10 to 22 mm)	or	with using Pipe clips in horizontal position (1 pipe / diameter from 10 to 22 mm)
		
+ Cover 40x70 or 60x70		+ Cover 32x35

4. TECHNICAL CHARACTERISTICS

■ 4.1 Composition of the installation for an air conditioning installation

	Less than 3000 W		Between 3000 and 5000 W		Greater than 5000 W	
	Liquid	Gas	Liquid	Gas	Liquid	Gas
	1/4"	3/8"	1/4"	1/2"	3/8"	5/8"
	Ø 25 mm	Ø 28 mm	Ø 25 mm	Ø 31 mm	Ø 28 mm	Ø 34 mm
40 x 70 & 60 x 70 single split						
60 x 100 single and dual-split						

For information, this range:

- does not receive wire equipment
- ensure only air conditioning installation or plumbing application

Indoor and outdoor applications:

Its design and the materials used make the trunking suitable for both indoor use and outdoor use

■ 4.2 Material characteristics

Bases & covers, white PVC RAL 9016
Finishing accessories, : white ABS RAL 9016
Pipe clips, black color: PP

4. TECHNICAL CHARACTERISTICS (cont.)**■ 4.3 Classification of DLP Trunking for fluids according to EN 50085-2-1**

6.2 Resistance to impact for installation and application	2.0J
6.3 Minimum storage and transport temperature	- 25°C
6.3 Minimum installation and application temperature	- 25°C
6.3 Maximum application temperature	+ 60°C
6.4 Resistance to flame propagation	Non-flame propagating
6.5 Electrical continuity characteristic	Without electrical continuity characteristic
6.6 Electrical insulating characteristic	With electrical insulating characteristic
6.7 Degrees of protection provided by enclosure	IP 20
6.9 The system access cover retention	With a tool
6.101 The position when surface mounted	Wall fixed
6.102 The functions provided	Type 1
Rated current	500 V
Protection against mechanical shocks	IK 07

■ 4.4 Composition & functions of DLP Trunking for fluids according to EN 50085-2-1 white color

DLP Trunking for fluids		
Body/covers	Cat. Nos	Section (mm ²)
32 x 35	6 112 80	794 mm ²
40 x 70	6 112 61/6 112 60	1850 mm ²
60 x 70	6 112 61/6 112 90	3178 mm ²
60 x 100	6 113 01/6 113 00	4123 mm ²

■ 4.5 Additional specificities

	M1	ROHS	CAN BE PAINTED (Alkyd / Acrylic)	ULTRAVIOLET RESISTANCE
Flat base	YES	YES	YES (according to the preconditions)	5 years warranty according to the norm NF EN 20105-A02. Limited to the places where annual irradiance is < to 120 000 Langleys.
Covers				
Accessories				